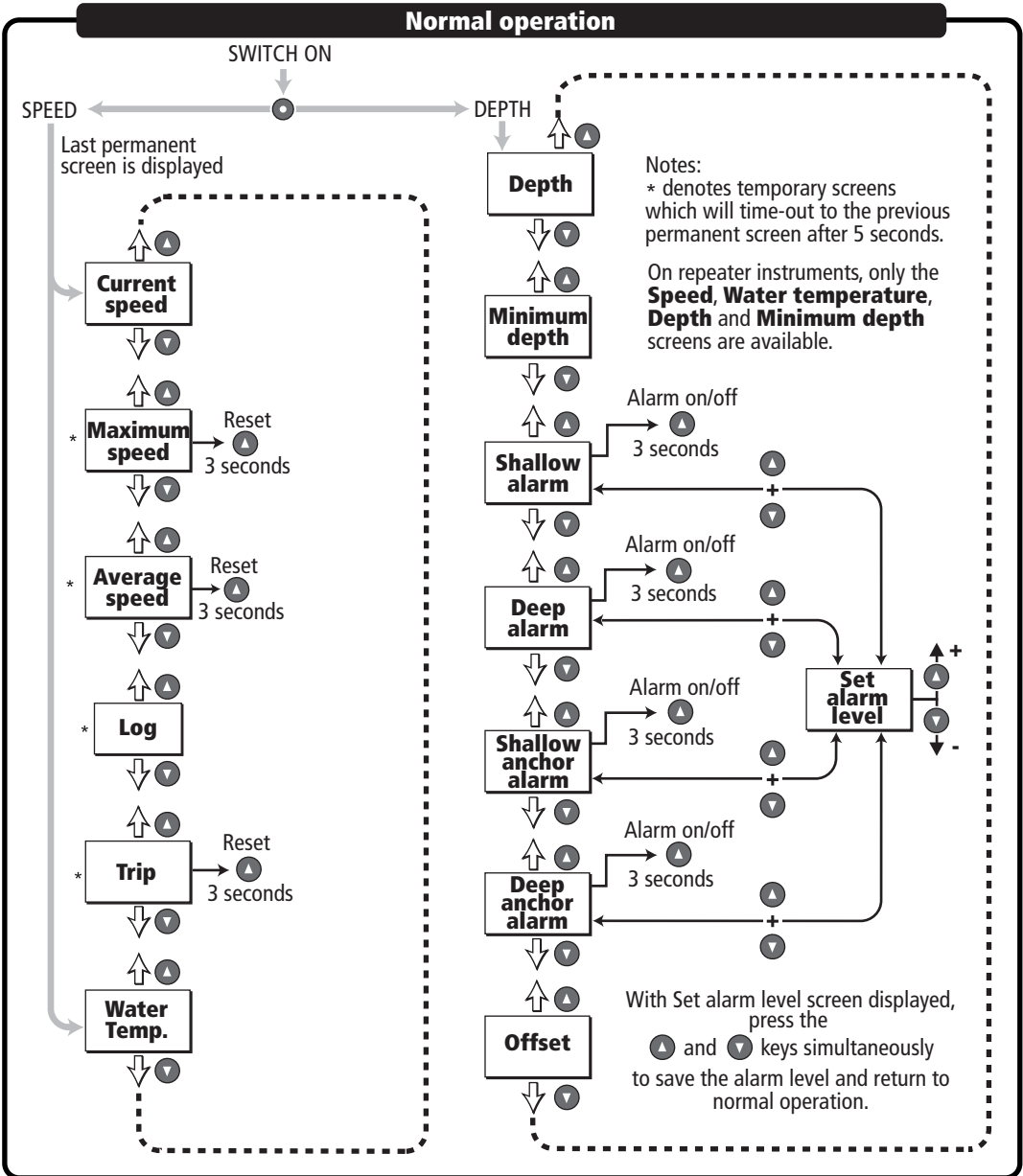


Distributed by
Raymarine

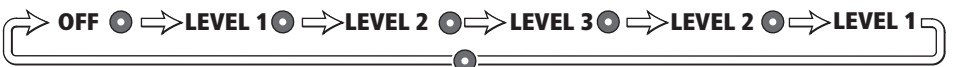
Any reference to Raytheon or RTN in this manual should be interpreted as Raymarine. The names Raytheon and RTN are owned by the Raytheon Company.

ST40 Bidata Instrument - quick reference guide



Adjusting display backlighting/contrast

To enter adjust mode, press ● for 1 second to adjust BACKLIGHTING and a further 1 second to adjust CONTRAST



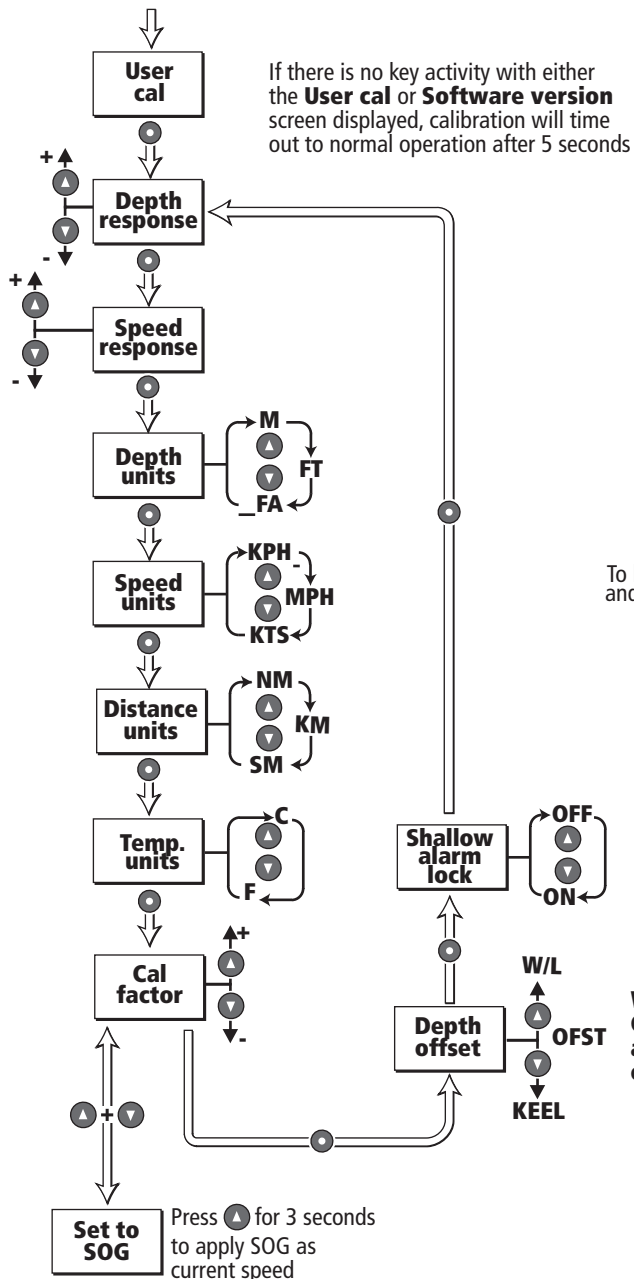
To exit adjust mode press ▼ or ▲ or wait for 5 second timeout

ST40 Bidata Instrument - quick reference guide

Calibration

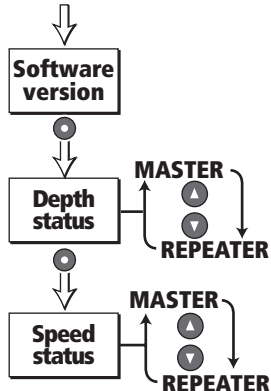
USER CALIBRATION

Hold down and for 2 seconds



INTERMEDIATE CALIBRATION

Hold down and for 4 seconds



To leave any calibration routine and return to normal operation, hold down and for 2 seconds

WARNING: Correct offset values are essential to the safe operation of the vessel.